

Technical Document
BNC Right Angled Clamp Plug
for WEB400, RG8 & H1000

webro

Part Number: 55-211-1680-070

Description: BNC Right Angled Clamp Plug for
WEB400, RG8 & H1000

Product Construction

Shell/Body	:	Nickel Plated Brass
Pin	:	Gold Plated Brass
Insulator	:	PTFE
Ferrule	:	C Nickel Plated Brass

Electrical Characteristics

Impedance	:	50 Ω
Max. Frequency Range	:	2 GHz, DC
Dielectric Withstanding Voltage	:	1500 V RMS
Contact Resistance	Centre	: 1.5m Ω
	Outer	: 1m Ω
Insulation Resistance	:	5000m Ω

Mechanical Characteristics

Mating	:	Bayonet Lock
Durability	:	500 cycles

Environmental Characteristics

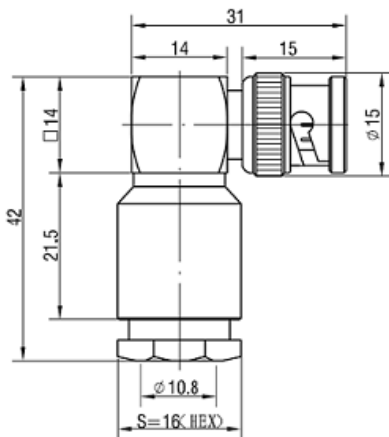
Temperature Range	:	-55°C to +155°C
-------------------	---	-----------------

Certifications & Standards

RoHS 3 Compliant	:	Yes
------------------	---	-----

Assembly

Pin	:	EZ-Fit
-----	---	--------



All drawing sizes in mm

Publication Date: 03/06/2024

Revision Number: 2.0

Written by: GB

Authorised by: GB

Webro Cables & Connectors Ltd

Vision House, Meadow Brooks Business Park, Meadow Lane, Long Eaton, Nottingham NG10 2GD, UK
Tel: +44 (0)115 9724483 | Fax: +44 (0)115 9461230 | sales@webro.com | www.webro.com

This technical document and its information and images are intended for guidance only. Due to technical improvements, manufacturing changes or commercial factors the product may vary, and we reserve the right without notice or liability to amend the product information.